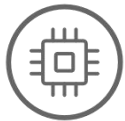




HG325ACT-A

1*XPON+4GE+1POTS+CATV+USB 3.0+WiFi 5 HGU ONT



High Performance Solution



WiFi 5 Dual Band
1200Mbps



IPv4/IPv6 Dual Stack



Remote Control
CATV(with AGC) on/off

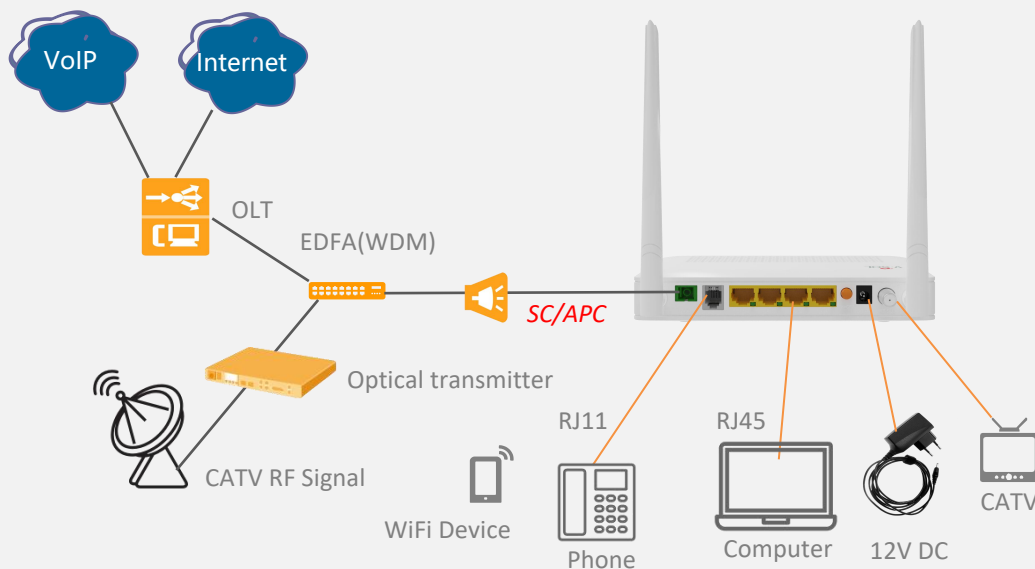
Introduction:

HG325ACT-A (4GE+1POTS+CATV+USB 3.0+WiFi 5 XPON HGU ONT) is a broadband access device specially designed to meet the needs of fixed network operators for FTTH and triple play services.

The ONT is based on high-performance chip solutions, supports XPON dual-mode technology (EPON and GPON), and also supports IEEE802.11b/g/n/ac WiFi 5 technology and other Layer 2/Layer 3 functions, providing data service for carrier-grade FTTH applications. While maintaining performance, the antenna has been revolutionised into a dual-band integrated antenna, which not only simplifies the design, but also reduces hardware costs and saves valuable physical space. In addition, the ONT also supports the OAM/OMCI protocol, and we can configure or manage various services of the ONT on the VSOL OLT.

The ONT has high reliability, is easy to manage and maintain, and has QoS guarantees for various services. It conforms to a series of international technical standards such as IEEE802.3ah and ITU-T G.984.

Application Chart:



○ Hardware Parameter

Dimension	180mm×120mm×32mm(L×W×H)
Net weight	280g
Operating condition	Operating temp: -10 ~ +55°C Operating humidity: 5 ~ 95% (non-condensing)
Storing condition	Storing temp: -40 ~ +70°C Storing humidity: 5 ~ 95% (non-condensing)
Power adapter	DC12V, 1.5A, external AC-DC power adaptor
Power supply	≤12W
Interface	4GE+1POTS+WiFi 5+USB 3.0+CATV
Indicators	PWR, LOS, PON, 2.4G, 5G, WAN, WPS, USB, Phone, LAN1~4, CATV

○ Interface Parameter

PON interface	<ul style="list-style-type: none"> • 1XPON port(EPON PX20+ & GPON Class B+) • SC single mode, SC/APC connector • TX optical power: 0~+4dBm • RX sensitivity: -27dBm • Overload optical power: -3dBm(EPON) or -8dBm(GPON) • Transmission distance: 20KM • Wavelength: TX 1310nm, RX1490nm
User interface	<ul style="list-style-type: none"> • 4*GE, Auto-negotiation, RJ45 ports • 1 POTS RJ11 Connector • 1*USB 3.0
WLAN interface	<ul style="list-style-type: none"> • Compliant with IEEE802.11b/g/n/ac • WiFi:2.4GHz、5.8GHz 2×2, 3dBi antenna, rate up to 1.167Gbps, Multiple SSID • TX power: 2.4GHz: 18dBm; 5GHz: 17dBm • RX power: 2.4GHz: HT40-MCS7 -71dBm; 5GHz: VHT80 MCS9 <-63dBm
CATV interface	<ul style="list-style-type: none"> • Optical receiving wavelength: 1550±10nm • Optical input range: +2~-18dBm • Optical reflection loss: ≥40dB • RF frequency range: 47~1000MHz • RF output impedance: 75Ω • RF output level and AGC range: <ul style="list-style-type: none"> ≥81±2dBuV@+1~-10dBm ≥79±2dBuV@ 0~-11dBm ≥77±2dBuV@-1~-12dBm ≥75±2dBuV@-2~-13dBm ≥73±2dBuV@-3~-14dBm ≥71±2dBuV@-4~-15dBm • MER: ≥32dB(-14dBm optical input)

○ Function Data

O&M	<ul style="list-style-type: none"> • OAM/OMCI, Telnet, WEB, TR069 • Support full management of HGU functions by VSOL OLT
Multicast	<ul style="list-style-type: none"> • IGMP v1/v2/v3, IGMP snooping • IGMP Proxy • MLD v1/v2 snooping • MLD Proxy
Wireless	<ul style="list-style-type: none"> • Integrated 802.11b/g/n/ac • Authentication: WAP-PSK(TKIP)/ WAP2-PSK(AES) • Support Multiple SSID • Support hidden SSID • Support Mesh • Supports up to 64 maximum device connections
QoS	<ul style="list-style-type: none"> • Support 4 queues • Support SP, WRR, 802.1P and DSCP
L2	<ul style="list-style-type: none"> • Support 802.1D&802.1ad bridge, 802.1Q VLAN
VoIP	<ul style="list-style-type: none"> • SIP and IMS SIP • G.711a/G.711u/G.722/G.729 Codec • Echo cancellation, VAD/CNG, DTMF Relay • Caller Identification/Call Waiting/Call Forwarding/Call Transfer/Call Hold/3-way Conference
L3	<ul style="list-style-type: none"> • IPv4, IPv6 and IPv4/IPv6 dual stack • DHCP/PPPOE/Static • Static route, DHCP Server • NAT/DMZ/DDNS/Virtual Server
Security	<ul style="list-style-type: none"> • Support Firewall • Support Mac filter Based on MAC or URL • Support ACL • Support Loop detection
System Function	<ul style="list-style-type: none"> • Support NTP (Network Time Protocol) • Support Scheduled device restart • Support Ping and Traceroute diagnosis

Ordering Information:

Product Name	Product Description	Accessories
HG325ACT-A	1*XPON+4GE+1POTS+CATV+USB 3.0+WiFi 5	AC-DC power adaptor: DC12V/1.5A